



# DX Easy Imaging CR Retrofit Kit HighCap XLr

**Rapid processing and precise image reading ideal for X-ray images including mammograms**

**Introducing the Colenta DX Easy Imaging CR Retrofit Kit HighCap XLr equipped with state-of-the-art functions including an optional capability of 50-micron reading with high resolution imaging plates.**

## Processing Capacity

**Up to 87 IPs/hr** in size 14"x17" (35cmx43cm)

Capable of automatically starting the IP reading, when the IP cassette is inserted, the system is designed to complete the IP reading cycle with simple operations. The setting parameters can be changed by using the buttons on the screen of the monitor. The screen can also display the status and the time remaining to complete the IP reading process for user-convenience.



## Reading Resolution - Pixel Size

**Up to 508dpi (50µm)** – it allows the reading of **Mammographic Images\***

One of the reader's key component is the Imaging Plate, or IP, which is used instead of the X-ray film to easily digitize the X-ray images.

The **Colenta DX Easy Imaging CR Retrofit Kit HighCap XLr** features the IP in an unprecedented compact frame. The Reader has been cleverly trimmed to be smaller and lighter, boosting flexibility on installation and layout, while maintaining the specifications for a broad range of diagnostic imaging needs from general radiography to pantomography.



To highlight, the optional capability of 50-micron reading with high resolution imaging plates\* can be used to visualize finer and more minute structures for better diagnosis.

*\*) Requires the optional upgrade kit, Cassettes and IPs for Mammography*

Three types of IP cassettes can cover various imaging such as chest, lumbar spine, pantomography (15cm x 30cm), and extremities. Virtually, all imaging requirements can be satisfied with a single unit.

## Compact with High Efficiency

The **Colenta DX Easy Imaging CR Retrofit Kit HighCap XLr** enables extremely high throughput of up to approximately 94 IPs/hr \*\*. As all the Colenta equipment the **Colenta DX Easy Imaging CR Retrofit Kit HighCap XLr** is easy to operate. It will help to reduce patient waiting time and to greatly increase the efficiency of examination workflow.

*\*\*\*) IP size 14"x14" (35cm x 35cm), reading at 5 pixels/mm*

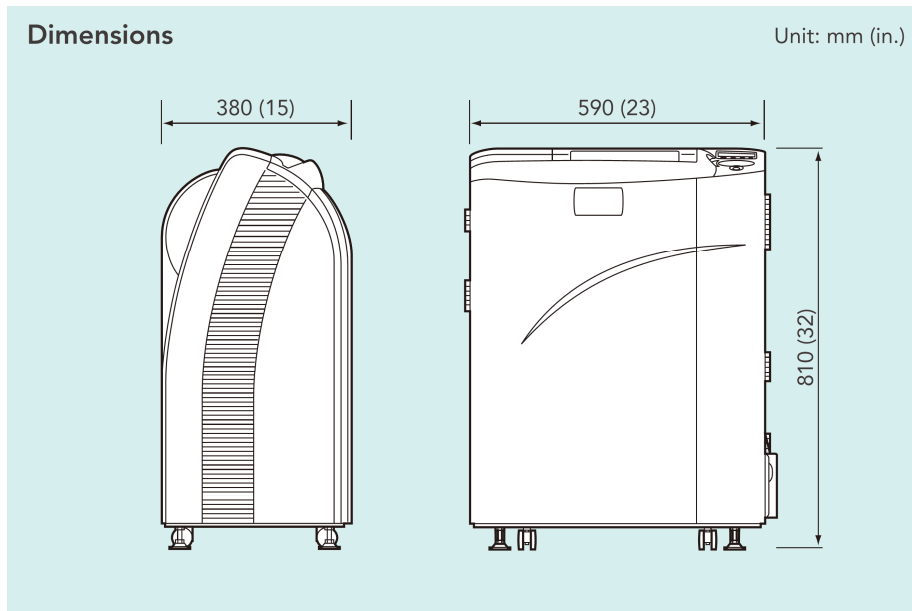
Minimum requirement of PC is Core i5 processor with 3.2 GHz clock speed & 4GB RAM. 2 x 500 GB SATA Harddisk & RAID supported motherboard are required. 2 x GBit LAN Controller and VGA graphic controller with 24bit color depth.

## DX Easy Imaging CR Retrofit Kit HighCap XLr

### Specifications

<b>Image Plate General X-ray</b>	14" x 17" (35cm x 43 cm), 14" x 14" (35cm x 35 cm), 10" x 12" (24cm x 30cm), 8" x 10" (18cm x 24cm), 15cm x 30cm
<b>Image Plate Mammography</b>	10" x 12" (24cm x 30cm), 8" x 10" (18cm x 24cm)
<b>Processing Capacity</b>	14" x 17" (35cm x 43 cm) up to 87 IPs/hr 8" x 10" (18cm x 24cm) up to 92 IPs/hr
<b>Time Required for IP Feed/Load</b>	Min. 38 sec.
<b>Grayscale resolution</b>	12 Bit
<b>Reading Specification</b>	20 pixel/mm**, 10 pixel/mm, 5 pixel/mm
<b>Pixel Size</b>	100um / 50um (Mammography)
<b>Number of Stacker</b>	1
<b>Network</b>	10 Base T/100 Base TX
<b>Weight</b>	99 kg (218 lbs.)
<b>Dimensions (WxDxH)</b>	590mm x 380mm x 810 mm (23" x 15" x 32")
<b>Power Supply Conditions</b>	Single phase 50-60Hz, AC120-240V±10%
<b>Environmental Conditions</b>	Temperature: 15-30°C Humidity: 40-80%RH (No dew condensation)

\*\* ) Requires the optional upgrade kit, Cassettes and IPs for Mammographic application



This equipment is a Class 1 laser product (IEC60825-1:2001).

Specifications are subject to change without notice. All brand names or trademarks are the property of their respective owners. In some countries, regulatory approval may be required to import medical devices.

### **COLENTA** Labortechnik GmbH & Co. KG

Neunkirchner Str. 117

A-2700 Wiener Neustadt, Austria

Tel.: +43(0)2622-28311-0 Fax: +43(0)2622-28311-7

**E-Mail: [office@colenta.at](mailto:office@colenta.at)**