

Colenta[®] DX Easy Imaging CR Retrofit Kit HighCap Xr

Extremely fast processing in a compact body streamlines diagnosis

This compact table-top Reader unit has outstandingly high-speed processing capability to challenge the common misconception of CR.

Processing Capacity

Up to 47 IPs/hr in size 14"x17" (35cmx43cm)

The Colenta DX Easy Imaging CR Retrofit Kit HighCap Xr is a table-top Reader unit which boasts a world-class high processing speed of 73 IPs/hour*. As with all Colenta equipment the DX Easy Imaging CR Retrofit Kit HighCap Xr is easy to operate. It will help to reduce patient waiting time and greatly increase the efficiency of examination workflow.

**) The above value is for IPs of 8" x 10" (18cmx24cm)*



Reading Resolution - Pixel Size

Up to 254dpi (100µm)

One of the reader's key components is the Imaging Plate, or IP, which is used instead of the X-ray film to easily digitize X-ray images.

Although this is a compact machine its excellent image quality is at the same level of the one featured by the rest of the Colenta range of equipment. The Colenta's proprietary image processing technology, enhances image contrast and sharpness, without any deterioration of the details. Colenta DX Easy Imaging CR Retrofit Kit HighCap Xr supports accurate diagnosis by offering stable and optimized image quality.

Space-Saving Design

As all the Colenta equipment the Colenta DX Easy Imaging CR Retrofit Kit HighCap Xr is easy to operate. It will help to reduce patient waiting time and to greatly increase the efficiency of examination workflow.

Colenta DX Easy Imaging CR Retrofit Kit HighCap Xr, with its light and compact table top design, can be placed on a desk, shelf or anywhere the space is limited. As this is a fully digital Reader, neither a darkroom nor an automatic processor is required. The Colenta DX Easy Imaging CR Retrofit Kit HighCap Xr can always be installed in the space formally used by a chemistry based processor.

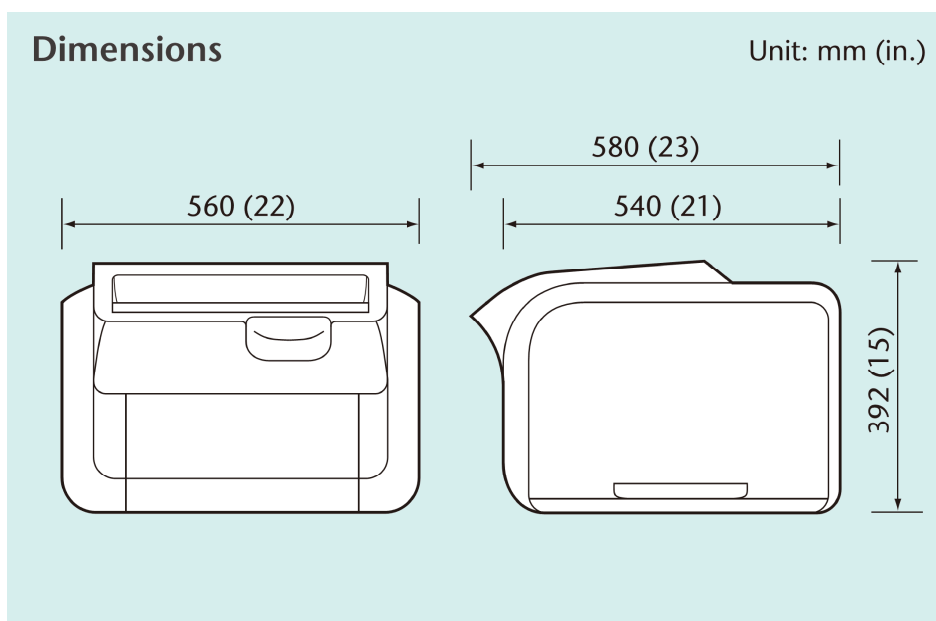


Minimum requirement of PC is Core i5 processor with 3.2 GHz clock speed & 4GB RAM. 2 x 500 GB SATA Harddisk & RAID supported motherboard are required. 2 x GBit LAN Controller and VGA graphic controller with 24bit color depth.

Colenta[®] DX Easy Imaging CR Retrofit Kit HighCap Xr

Specifications

Image Plate General X-ray	14" x 17" (35cm x 43 cm), 14" x 14" (35cm x 35 cm), 10" x 12" (24cm x 30cm), 8" x 10" (18cm x 24cm), 15cm x 30cm
Processing Capacity	14" x 17" (35cm x 43 cm) up to 47 IPs/hr 8" x 10" (18cm x 24cm) up to 73 IPs/hr
Time Required for IP Feed/Load	Min. 49 sec.
Time to Start on Display	Min. 33 sec.
Grayscale resolution	12 Bit
Reading Specification	10 pixel/mm, 5 pixel/mm
Pixel Size	100um
Number of Stacker	1
Network	10 Base T/100 Base TX
Weight	39 kg (86 lbs.)
Dimensions (WxDxH)	560mm x 540mm x 392 mm (22" x 21" x 15")
Power Supply Conditions	Single phase 50-60Hz, AC120-240V±10%
Environmental Conditions	Temperature: 15-30°C Humidity: 40-80%RH (No dew condensation)



This equipment is a Class 1 laser product (IEC60825-1:2001).

Specifications are subject to change without notice. All brand names or trademarks are the property of their respective owners. In some countries, regulatory approval may be required to import medical devices.

COLENTA Labortechnik GmbH & Co. KG

Neunkirchner Str. 117

A-2700 Wiener Neustadt, Austria

Tel.: +43(0)2622-28311-0 Fax: +43(0)2622-28311-7

E-Mail: office@colenta.at